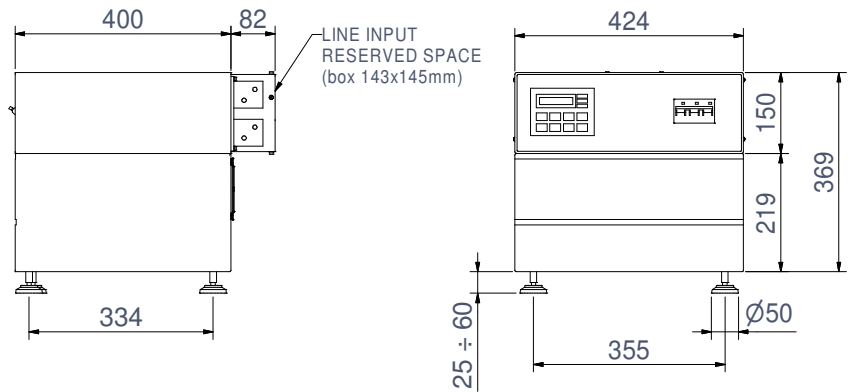
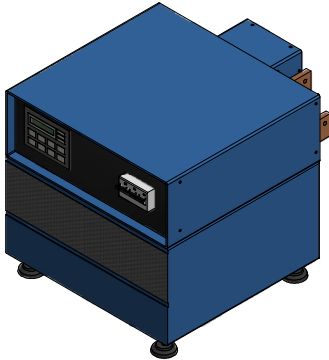
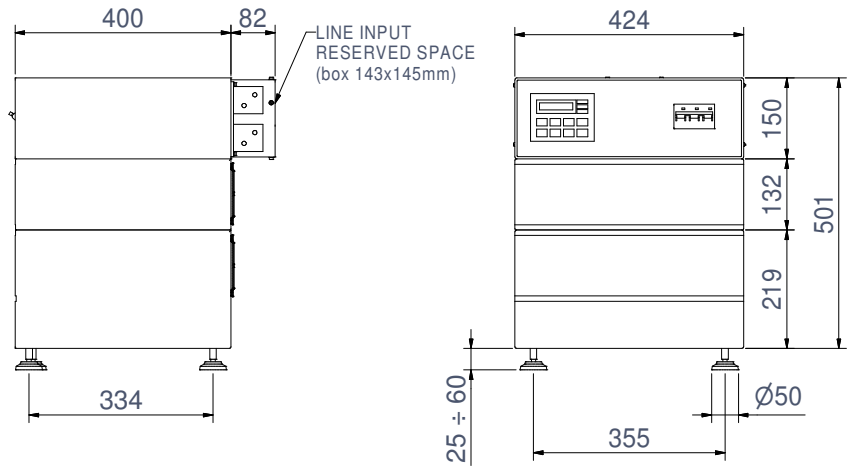
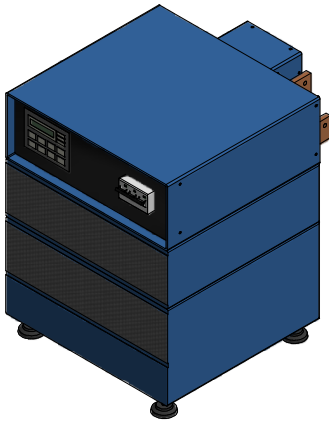


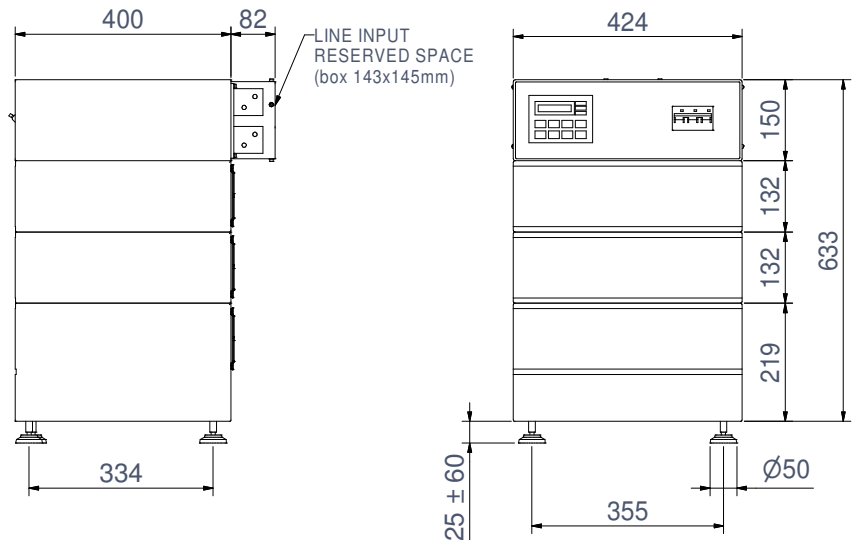
Configuration 01-1



Configuration 02-2



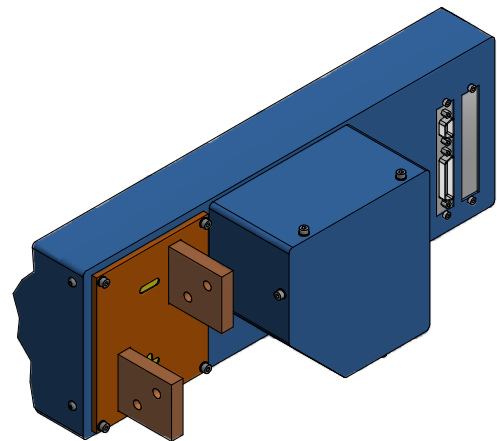
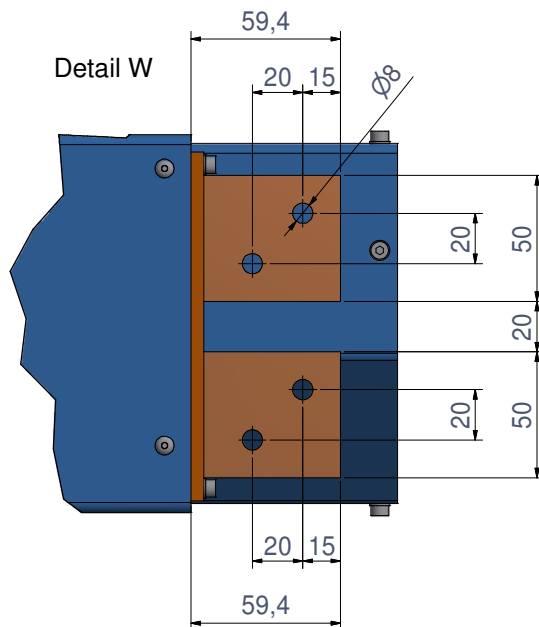
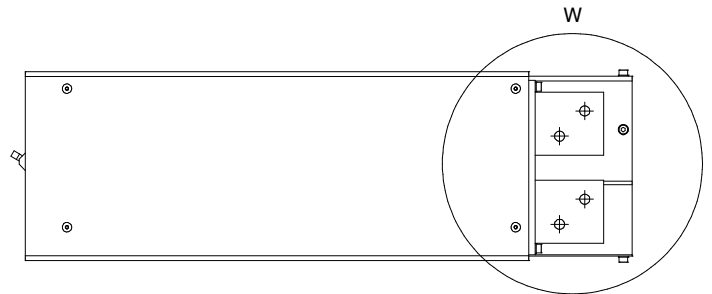
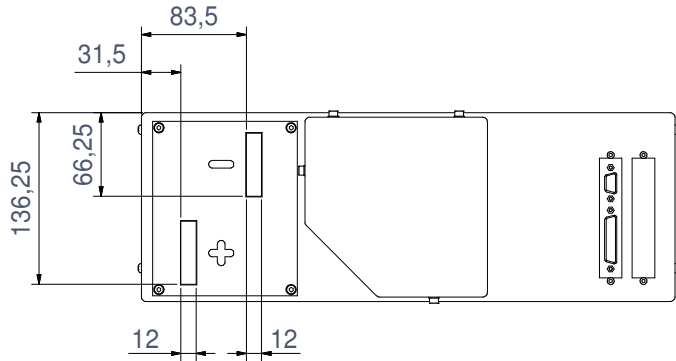
Configuration 03-3



Legend YY-Z: YY = Number of modules (not including header), Z = (1) Power Module.
Order of modules is from the bottom to the top.

CRS_Q300_A20_Conf_Spec_ENG_20121019

QUASAR Q300 output connection configuration



Material of output bars: **copper Cu-ETP**

Q300 Weight

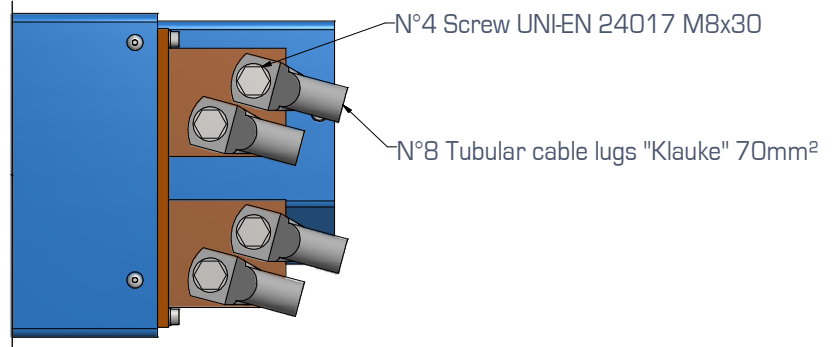
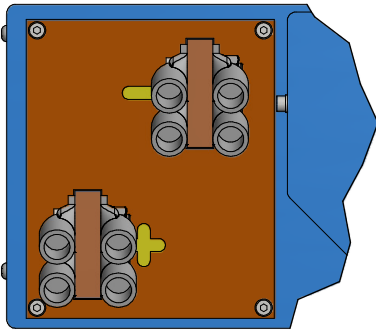
CONFIGURATION	AIR (max weight [Kg])
01-1	45
02-2	69
03-3	89

IMPORTANT NOTES

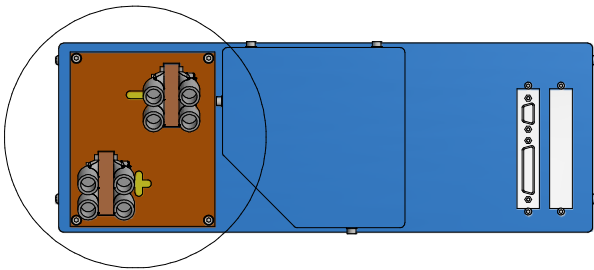
- All the dimensions in catalogue are in MILLIMETERS
- The machines are shipped with the 4 legs/supports (included but not mounted)
- Lifting bars are shipped with machines (but not mounted)

QUASAR Q300 - example of connection 280mm²

Detail A

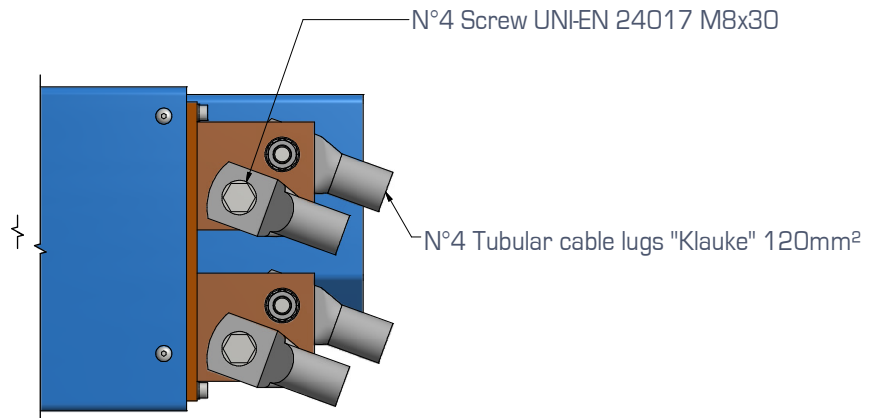
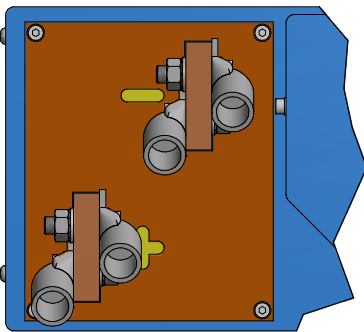


A



QUASAR Q300 - example of connection 240mm²

Detail B



B

